

ME108H Weekly Programming Thermostat with LCD Screen

Weekly circulation, it is possible to set 6 periods called events each day with different temperatures, also you can select "manual mode" or "period control mode" according to your individual requirements. The thermostat is recommended for the control of electric heating devices or on/off valve actuator used in water-based heating systems.

Availability

Model	Current	Application
ME108H.03	3A	Built-in sensor and external sensor, temperature control and temperature limit + weekly programming
ME108H.16	16A	Built-in sensor and external sensor, temperature control and temperature limit + weekly programming
ME108H.31	3A	Built-in sensor and external sensor, temperature control and temperature limit+ a potential-free output+ weekly programming

Technical data:

- Voltage : 110-230VAC, 50/60HZ
- Power consumption : 2W
- Setting range : 5°C~95°C (factory setting: 35°C)
- Limitation range : 5°C~95°C (factory setting: 60°C)
- Switching differential : 1°C~9°C (factory setting: ±1°C)
- Ambient temperature : -5°C~50°C
- Protective housing : IP20
- Housing material : anti-flammable PC
- Dimensions(H/W/D) : 86/86/52mm

Daily use of the thermostat

- 1) Side key "□" Press the side key to turn on/off the thermostat.
- 2) The increase key "△" and decrease key "▽". Press "△" or "▽" key to adjust temperature and the value of pre-set temperature will be increased / decreased by 1°C each time in "manual mode" or "period control mode".
- 3) Time setting: Press and hold the "□" key for 3s to enter the time and week adjustment.
- 4) Mode selection key "□", You can select "period control mode" or "manual mode" by this key. In "period control mode", it displays the time or the pre-set temperature alternately, and the measured temperature displayed directly.
- 5) Press "□" can wake up the backlight.
- 6) press △ and ▽ simultaneously for 3 seconds to enter lock mode.

Display symbols :

- Manual mode
- Period control mode
- Heating
- Getting up, the first period
- Out in the morning, the second period
- Going home at noon, the third period
- Out in the afternoon, the fourth period
- Going home in the evening, the fifth period
- Sleeping at night, the sixth period

Programming: 6-event time and temperature

press △ for 3 seconds to enter programming mode, when the thermostat is off.

Key	Period	Symbol	Time	△ ▽	Temperature	△ ▽
	Weekday	1		06:00	Set time	20°C
		2		08:00		15°C
		3		11:30		15°C
		4		12:30		15°C
		5		17:00		22°C
		6		22:00		15°C
	Weekend	1		08:00	Set temperature	22°C
		2		23:00		15°C

Advanced setting (qualified person preferred)

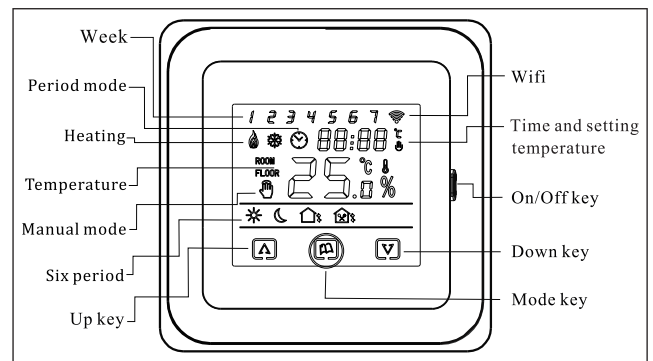
press ▽ for 3 seconds to enter advanced setting, when the thermostat is off. The following 8 functions can be chosen by "□" key.

Symbol	Setting	△ or ▽
1	RST power off memory function	OFF: close power off memory function. ON: open power off memory function.
2	ADJ Temperature calibration	Adjust measured temperature
3	SEN Sensor mode	IN: built-in sensor OUT: floor sensor ALL: both sensors (floor sensor is the limit sensor)
4	LIT Limitation temperature	Adjust limitation value, Limitation range: 5~95°C
5	DIF Switching differential	Adjust switching differential
6	PRG Set vacation mode	0: 7day mode 1: 6/1day mode 2: 5/2 day mode 3: OFF
7	LTP Antifreeze function	Turn on/off Anti-frozen function
8	HIT Max. Temperature	Max. Limitation temperature setpoint (30~95°C)
9	LIT Min. Temperature	Min. Limitation temperature setpoint (5~30°C)
10	AFAC Reset to factory settings	Press "▽" and hold for 5s then all parameters will be reset.

Sensor failure:

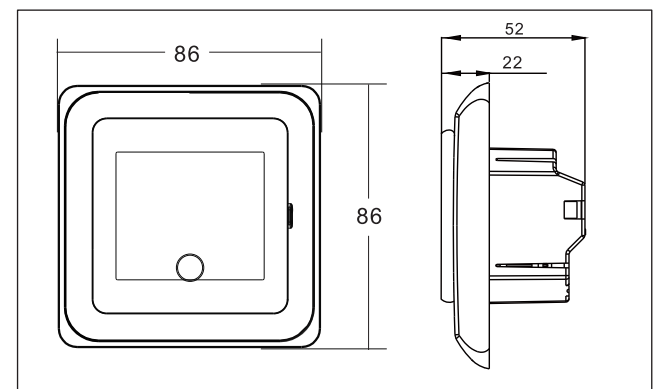
Please select the right sensor mode when operation, it will display the "Err" symbol on screen for sensor failure, thermostat must be checked till the fault is eliminated

Explanation of symbols:

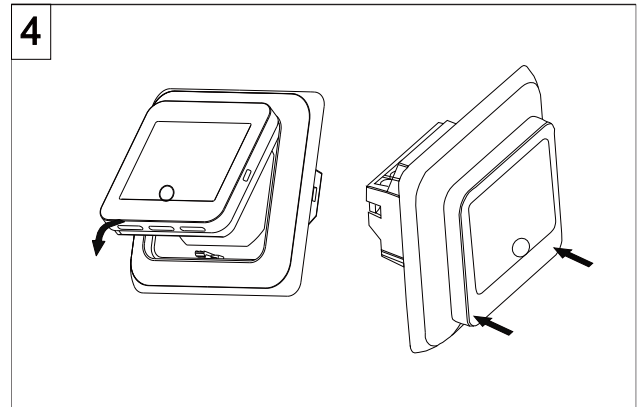
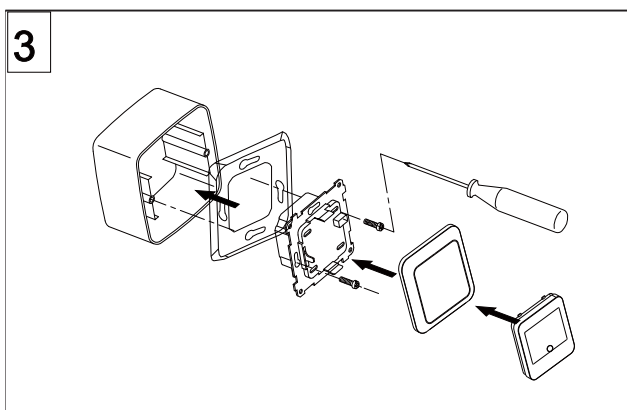
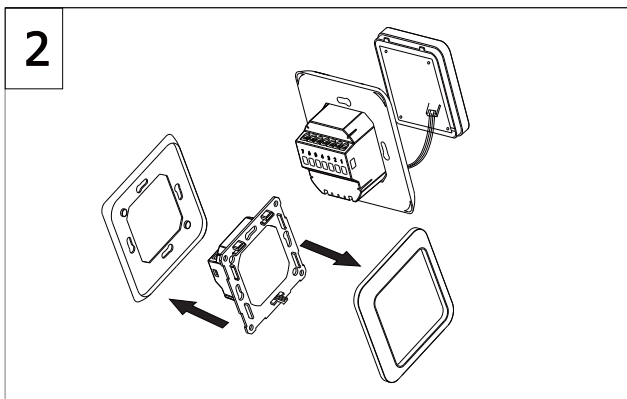
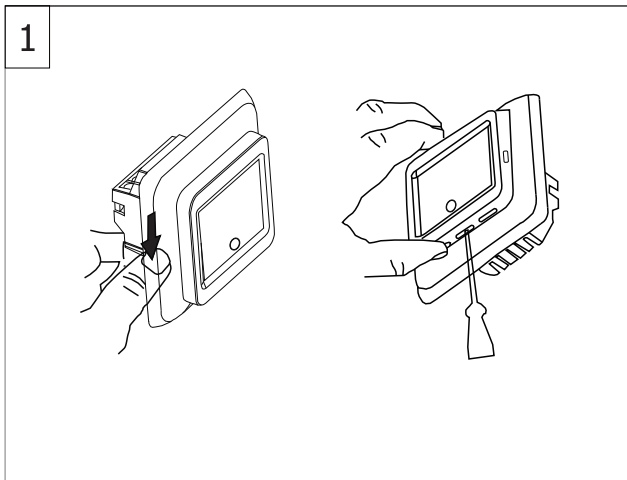


Dimension:

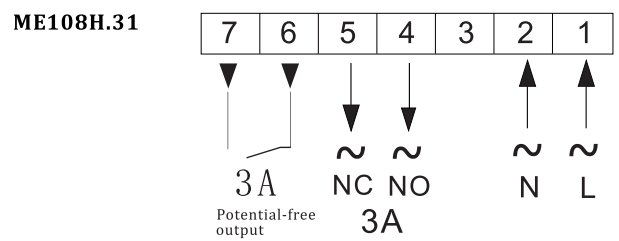
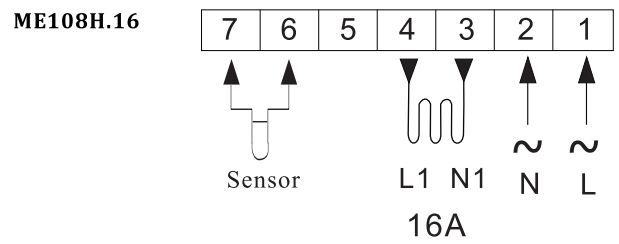
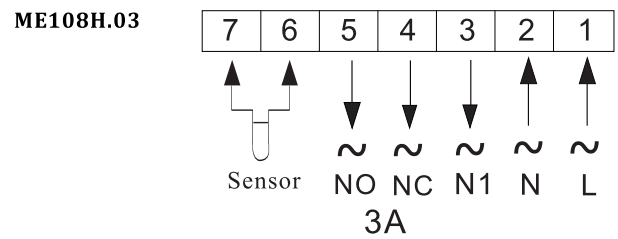
Unit: mm



Mounting steps:



Connection diagram



1)Thermostat networking steps:

Press the up and down button and hold for 3 seconds while the thermostat is off. When the WiFi symbol "📶" of the thermostat does not flash, it indicates that the connection is successful.

Please note that the router or the corresponding WiFi device is turned on and within 5 meters of the thermostat.

2)Mobile phone networking steps:

Before configuring WIFI, please make sure your phone is connected to 2.4GHz WIFI.

1. Use your mobile phone to scan the QR code below to download the "Tuya Smart" app.

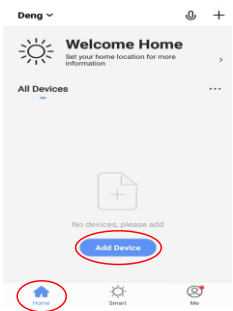
China



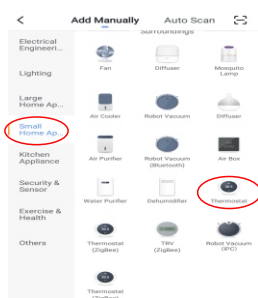
foreign



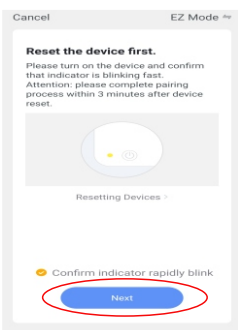
2. Open the "Tuya Smart" app and click Add Device as shown below.



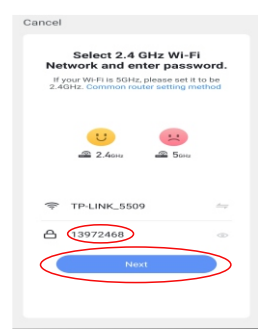
3. After clicking "Small Home Appliances", select "Thermostat" as shown below.



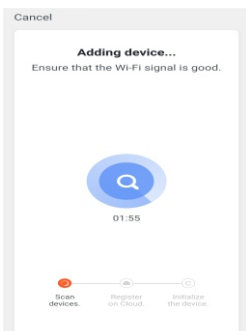
4. Click "Next" as shown below.



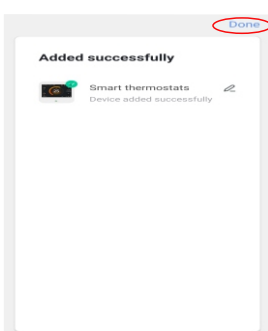
5. After entering the WIFI password, press "Next" as shown below.



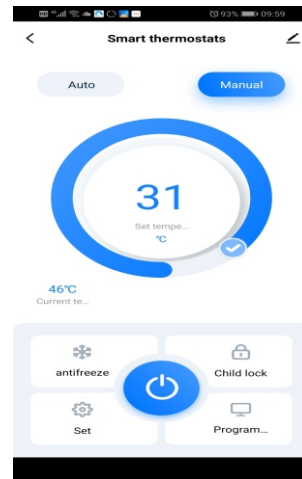
6. The phone enters the device search and the connection mode is as shown below



7. The mobile phone adds the device connection successfully, click "Done" as shown below.

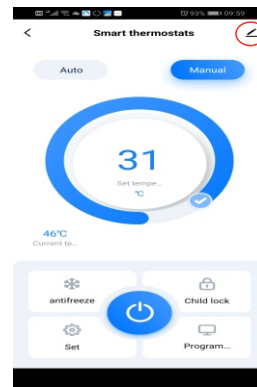


8. Click on the "Done" button above to enter the control interface as shown below.

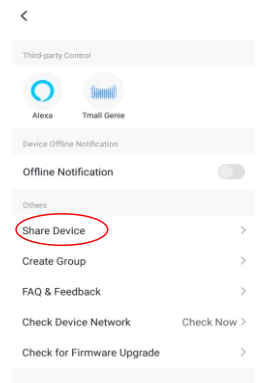


3)Device sharing instructions:

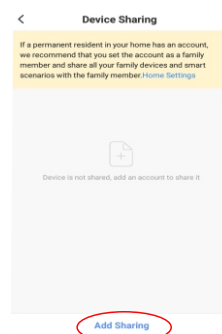
1. Click "🔗" as shown below.



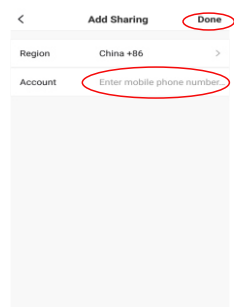
2. Click "Share Device" as shown below.



3. Click "Add Sharing" as shown below.



4. After entering the account number, click "Done" as shown below.



4)Thermostat and mobile phone Exit the network:

Press up and down button and hold for 3 seconds while the thermostat is off. The thermostat has entered the network exit status (Also configure WIFI status). At the same time, the WIFI symbol on the screen of the thermostat is flashing.