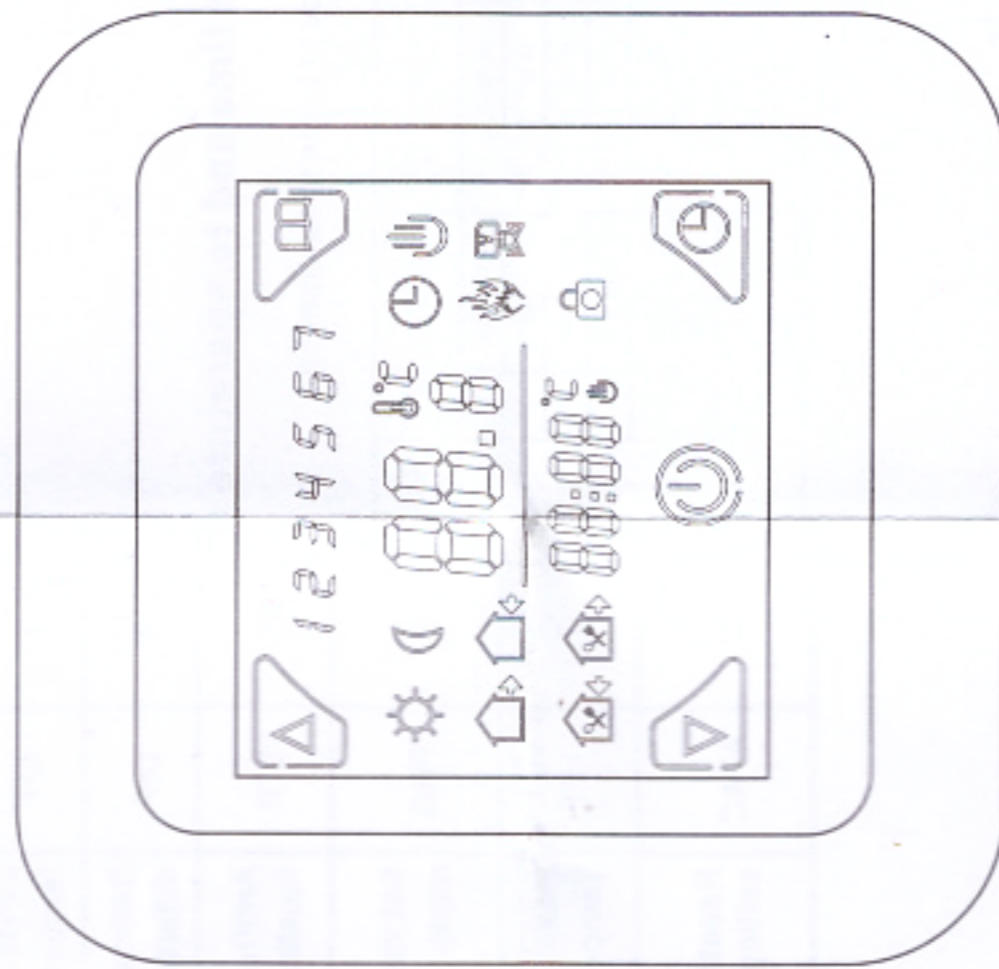
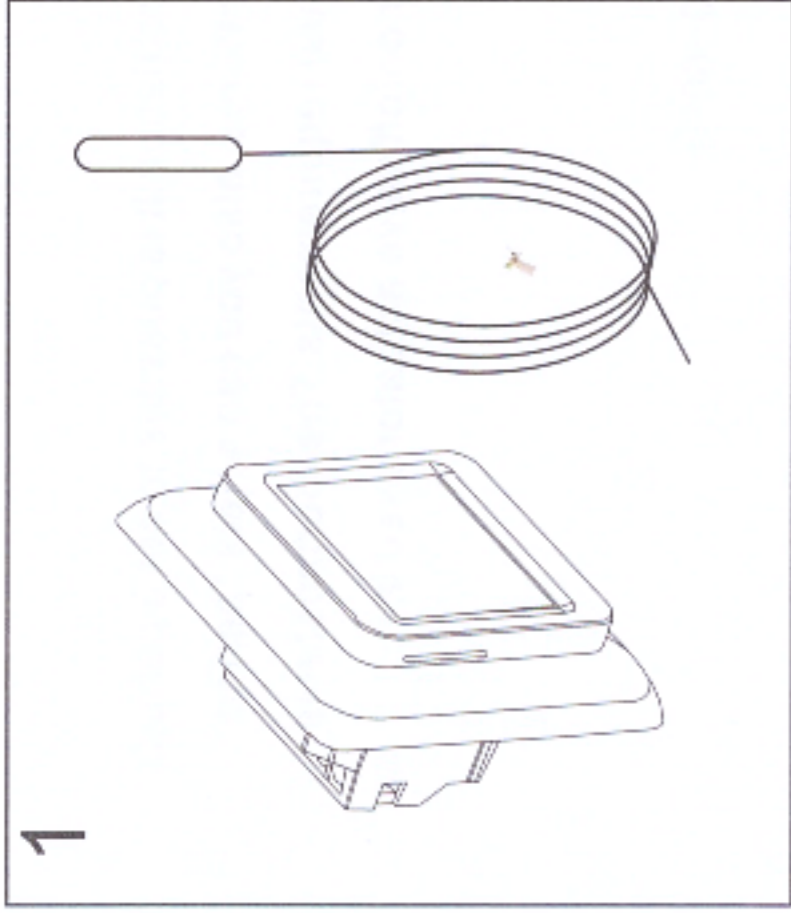


# V8

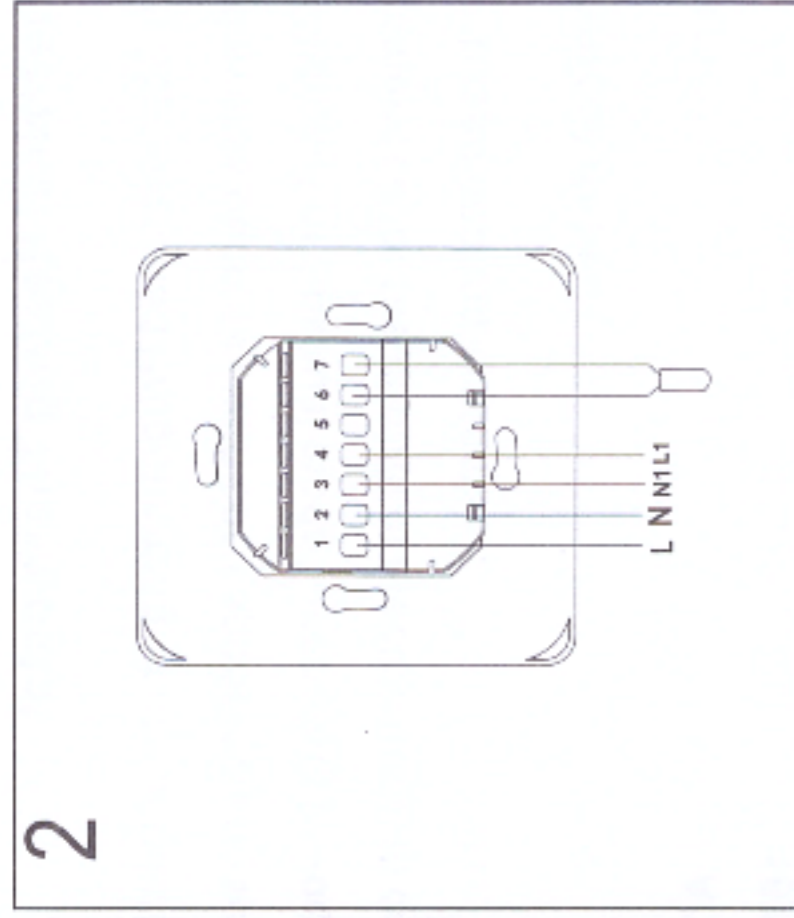


• English

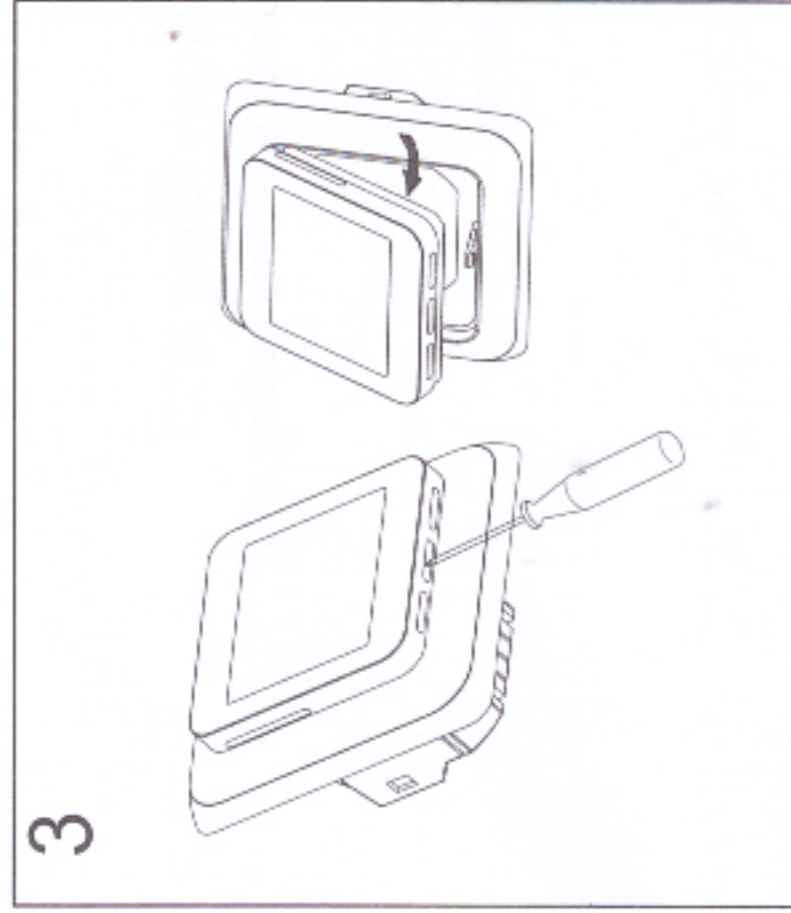
## ILLUSTRATIONS



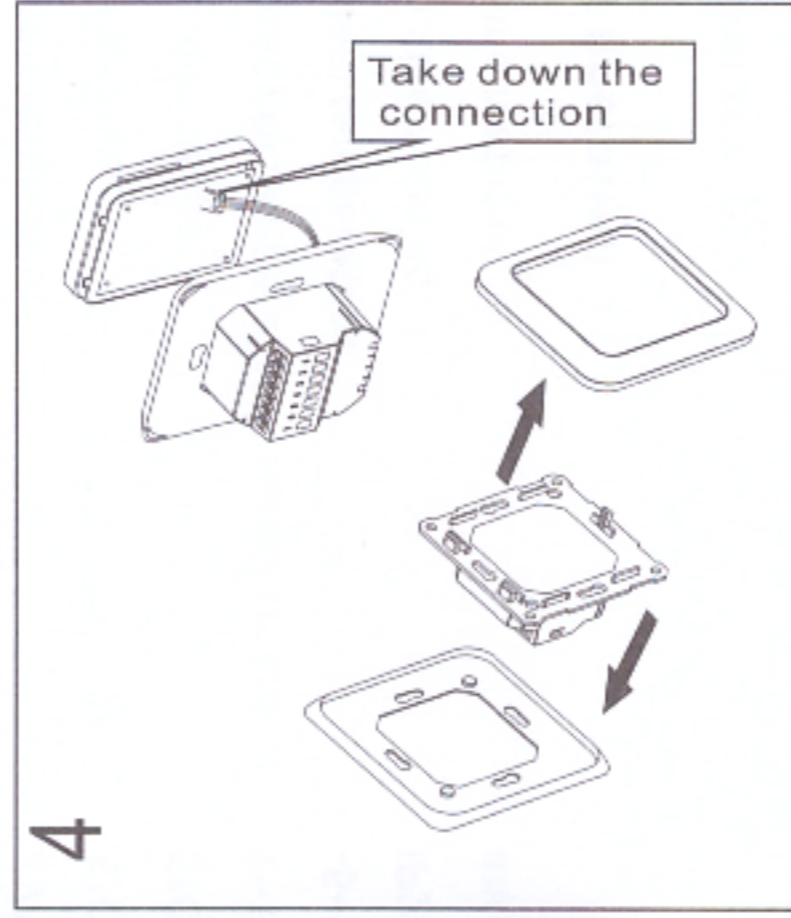
1



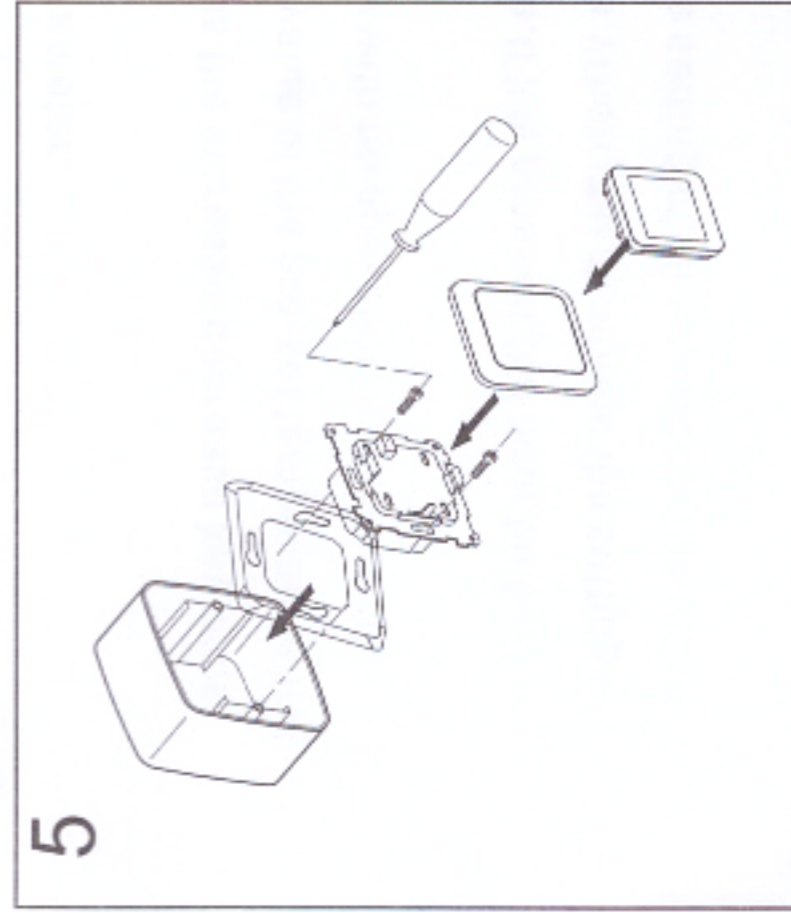
2



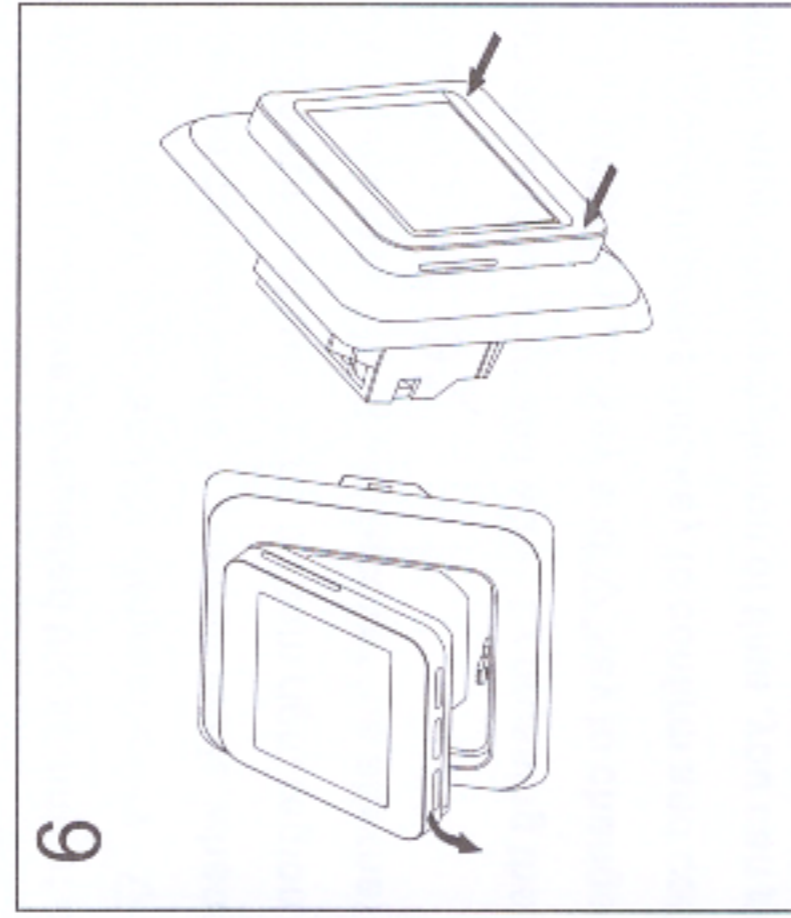
3



4



5



6

### V8-WARNING-Important Safety Instructions

Disconnect the power supply before carrying out any installation or maintenance work on this thermostat and associated components. The thermostat and associated components should only be installed by a competent person (i.e. a qualified electrician). Electrical installation must be in accordance with appropriate statutory regulations.



## V8 Electrical Heating Thermostat

Touch Screen Period Programming Thermostat Weekly circulation, it is possible to set 6 periods called events each day with corresponding pre-set temperatures, also you can select "period control mode" or "manual mode" according to your individual requirements. The thermostat is recommended for the control of electric heating devices or on/off valve actuator used in water-based heating systems.

### Technical data:

Voltage: AC230V 50~60Hz  
 Imax: 16A  
 Power consumption: 2VA  
 Setting range: 5°C...95°C  
 Limitation range: 5°C...60°C(factory setting:35°C)  
 Accuracy of temperature measurement: 1~10°C Adjustable, factory setting  $\pm 1^\circ\text{C}$   
 Ambient temperature: -5~50°C  
 Protective housing: IP20  
 Housing material: anti-flammable PC

### User operation

- 1) Power key "⏻"  
 You can turn on/off the thermostat by pressing this key. Also you can confirm and exit by pressing "⏻" key when you have completed the setting of every parameter.
- 2) The increase key "▲" and the decrease key "▼"  
 In the period control mode or comfort mode, when you press the increase/decrease key once, alternate display stops in the bottom right region and the value of the pre-set temperature will increase/decrease 1°C. It will recover the alternate display with no operation for 5 seconds.
- 3) Time setting key "⌚"  
 You can adjust the time and week by pressing the key once. If it is pressed, the hour bit flashes. Then you can press "▲" key and "▼" key to change its value. When you complete the setting of hour bit, you can press this key to confirm and continue the setting of minute bit and week bit sequentially. After the completion of time, you can press"  
 4) Mode selection key "⏻"  
 You can select period control mode or comfort mode by pressing the key. If you press this key and hold for 5 seconds, you can enter the mode of period programming.
- 5) Locking "🔒" and unlocking  
 When you press "▲" and "▼" at the same time and hold for 5 seconds, the thermostat will be locked/unlocked. When it is locked, no operation can be carried out until it is unlocked.
- 6) long press  
 long press Increase or Decrease key to change the valve constantly

### Display symbols:

- ☞ Manual mode
- ⌚ Clock-controlled program mode
- ⚙️ Wake-up, event 1
- 🏠 Leave (am), event 2
- 🏠 Return(am), event 3
- 🏠 Leave(pm), event 4
- 🏠 Return(pm), event 5
- 🌙 Sleep, event 6
- 🔥 Heating on

### Programming: 6-event time and temperature

Press the "⏻" key for 5 seconds to begin programming

Key	Event	Symbol	Time	Default value
☞	1	☞	06:00	20°C
	2	🏠	08:00	15°C
	3	🏠	11:30	15°C
	4	🏠	12:30	15°C
	5	🏠	17:00	22°C
	6	🌙	22:00	15°C
☞	1	☞	08:00	22°C
	2	☞	23:00	15°C

### Advanced setting(qualified person preferred)

You can press "▲" and "▼" and hold for 5 seconds at the same time to enter the mode of advanced setting when the thermostat is turned off. The following eight function can be chosen by pressing "▲" or "▼".

Symbol	Setting	Setting
1	ADJ	Temperature calibration
2	SEN	Sensor mode
3	LIT	Limitation temperature
4	DIF	Switching differential
5	LTP	Antifreeze function
6	PRG	Set vacation mode
7	HIT	Max. Temperature
8	AFAC	Reset to factory settings

### Explanation of symbols

